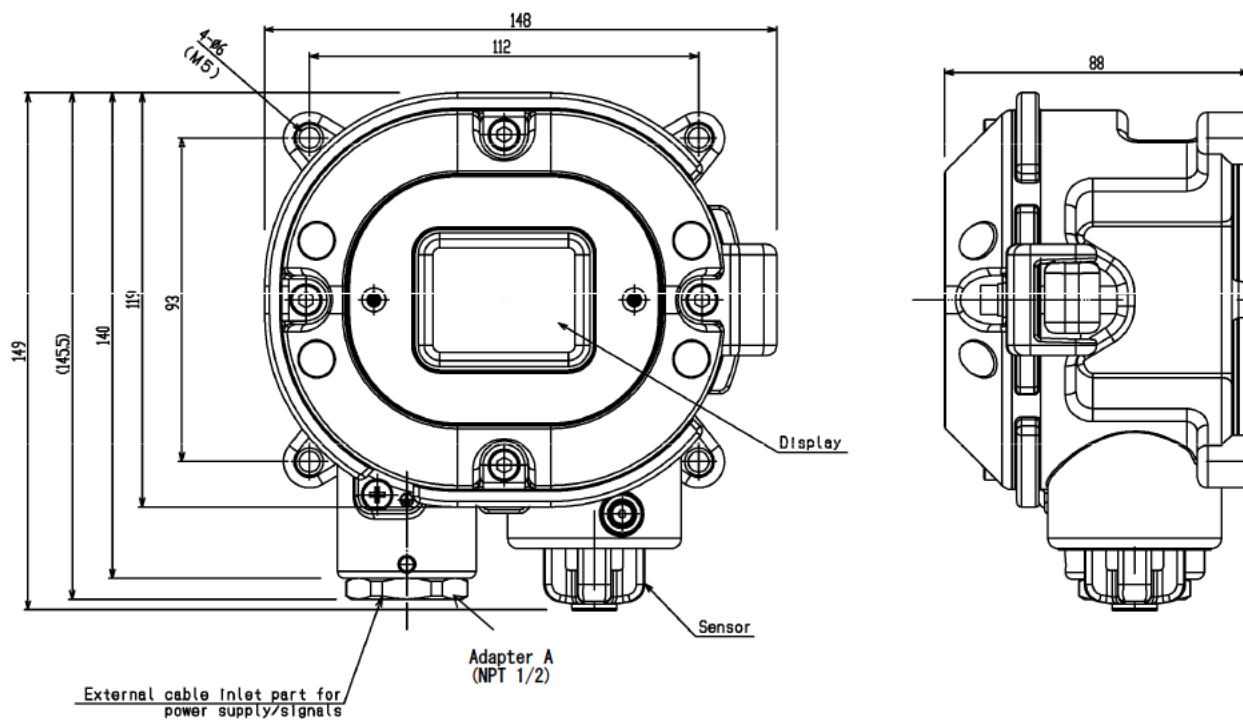


## GAS DETECTOR WITH SIGNAL CONVERTER SD-1GH (ATEX - IECEx) SPECIFICATION

Model	SD-1GH
Detection principle	Semi-conductor method
Detectable gas	Combustible gas/Toxic gas
Gas concentration display	LED(4digits・7segments)
Measuring range	Depend on Detectable gas
Detection method	Diffusion method
Alarm preset point	Depend on Detectable gas
Power indication	POWER lamp lighting(green)
Output	Gas concentration signal Alarm contact(Gas alarm or Trouble alarm or Gas・Trouble common alarm)
Alarm accuracy (under an identical condition)	Combustible gas : Less than $\pm 25\%$ (against alarm preset point) Toxic gas : Less than $\pm 30\%$ (against alarm preset point)
Alarm-delay time (under an identical condition)	Less than 30sec or 60sec(when introducing 1.6 times thicker gas than alarm preset point) (depends on gas)
Gas alarm type	Single alarm(H)
Gas alarm indication	ALM lamp lighting(red)
Gas alarm action	Auto-recover
Trouble alarm・Self diagnosis	System failure/Sensor failure
Trouble alarm indication	FAULT lamp lighting(yellow)/content display
Trouble alarm action	Auto-recover
Alarm contact	No-voltage contact 1a・Non-exciting at normal(exciting at alarm) or exciting at normal(non-exciting at alarm)
Contact capacity	AC250V・0.5A/DC30V・0.5A(resistive load)
Transmission scheme	Three-wire analog transmission (in common with power supply<power supply, signal, common>)
Specification of transmission	DC4~20mA (linear・load resistance less than 300 $\Omega$ )
Transmission cable	CVVS worth of shield cable(1.25sq) 3-core or 5-core(by using alarm contact)
Transmission distance	Less than 1.25km
Power supply	DC24V $\pm 10\%$
Power consumption	MAX. 3.1W
Cabling port	Flame proof packing method
Initial clear	Approx. 25sec
Operating temperature	-20~60°C (non-rapidly-vary)
Operating humidity	Less than 95%RH(non-condensing)
Structure	Wall mounting type
Explosion-proof structure	Flame proof structure
Explosion-proof grade	II 2G Ex db II C T5 Gb (ATEX) / Ex db II C T5 Gb (IECEx)
Outer dimension	Approx. 148 (W) × 149 (H) × 88 (D) mm (projection excluding)
Weight	Approx. 2.0kg
Color	Munsell 7.5BG5/2

**Outline Drawings**



**Terminal Drawings**

DC24V	DC+	1
	—(common)	2
4-20mA	Sig+	3
	Alarm contact	4
	Alarm contact	5