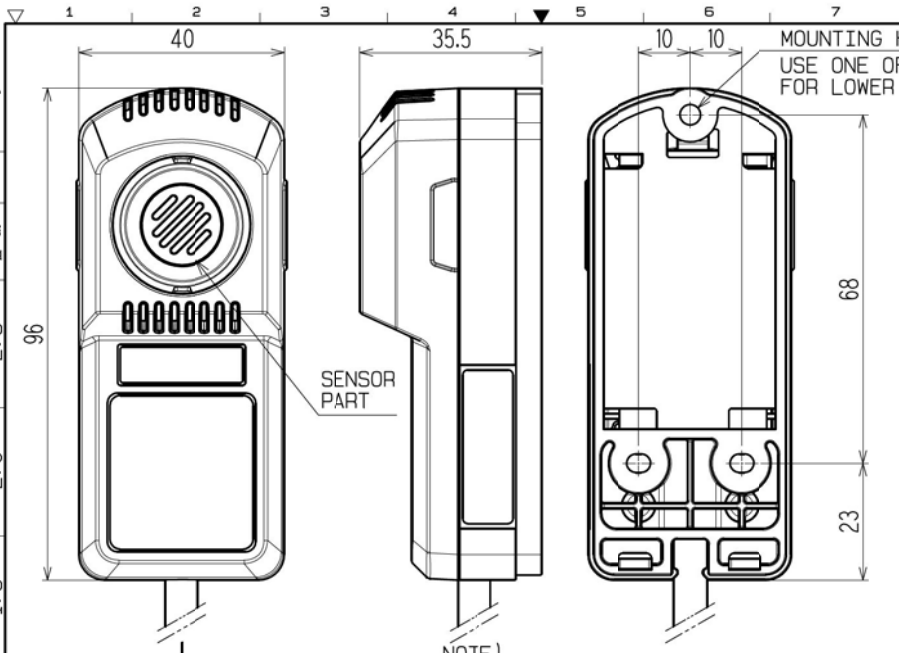
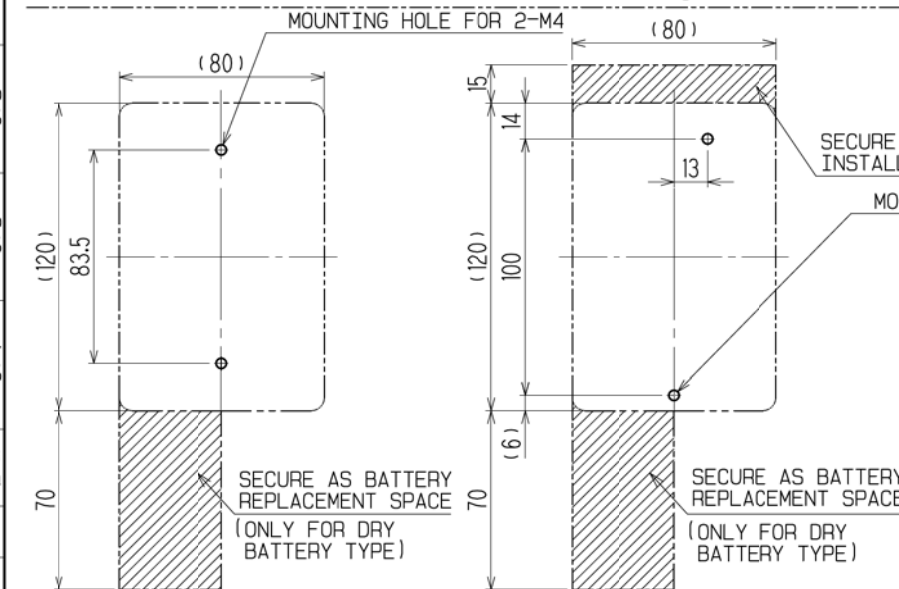


寸法	1000R/L	500R/L1000精	260R/L500精	120R/L260精	50R/L120精	18R/L50精	1R未清
精度	0.7	0.5	0.4	0.3	0.2	0.15	0.1
中取	1.2	1.0	0.8	0.6	0.4	0.3	0.2
粗取	2.5	2.0	1.6	1.2	0.8	0.6	0.4



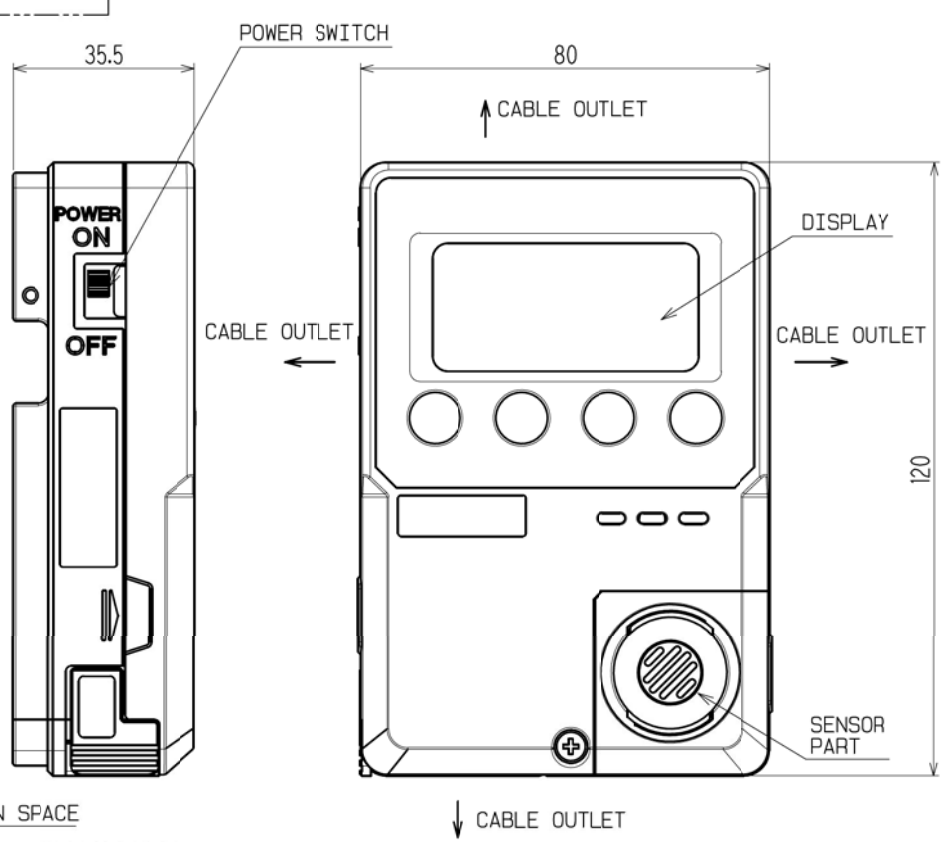
TO MAIN UNIT

NOTE)  
 1. PAINTING COLOR: LIGHT GRAY  
 (JAPAN PAINTING CONTRACTORS:BN-85)  
 2. WEIGHT: APPROX 55g (CABLE EXCLUDED)



INSTALLATION DIMENSION DRAWING (INSTALLATION BOARD NOT USED)  
 COMPATIBLE WITH JIS SINGLE SWITCH BOX  
 MAINTENANCE SPACE (SCALE 1:2)

INSTALLATION DIMENSION DRAWING (INSTALLATION FOR DRY BATTERY USED)



NOTE)  
 1. PAINTING COLOR: LIGHT GRAY  
 (JAPAN PAINTING CONTRACTORS:BN-85)  
 2. WEIGHT: APPROX 200g (AC SPECIFICATION)  
 APPROX 180g (DC SPECIFICATION)  
 APPROX 230g (DRY BATTERY TYPE)

表面处理 TREAT.	許容差 TOL.	尺度 SCALE	投影法 PROJECTION	名称 NAME
材質 MAT.		1:1		INDOOR OXYGEN MONITOR OX-600
承認 APPROVED	検討 CHECKED	製図 DRAWN	作成日 DATE	図番 Dwg. NO.
青良治	後上敦史	神原道彦	2018. 9. 14	M3-4725-16-05E